

SNEEZE GUARD & DIVIDER PRODUCTS.

A quick extension to cubicles, counter-tops and desktops to create safe, attractive and separated workspaces.

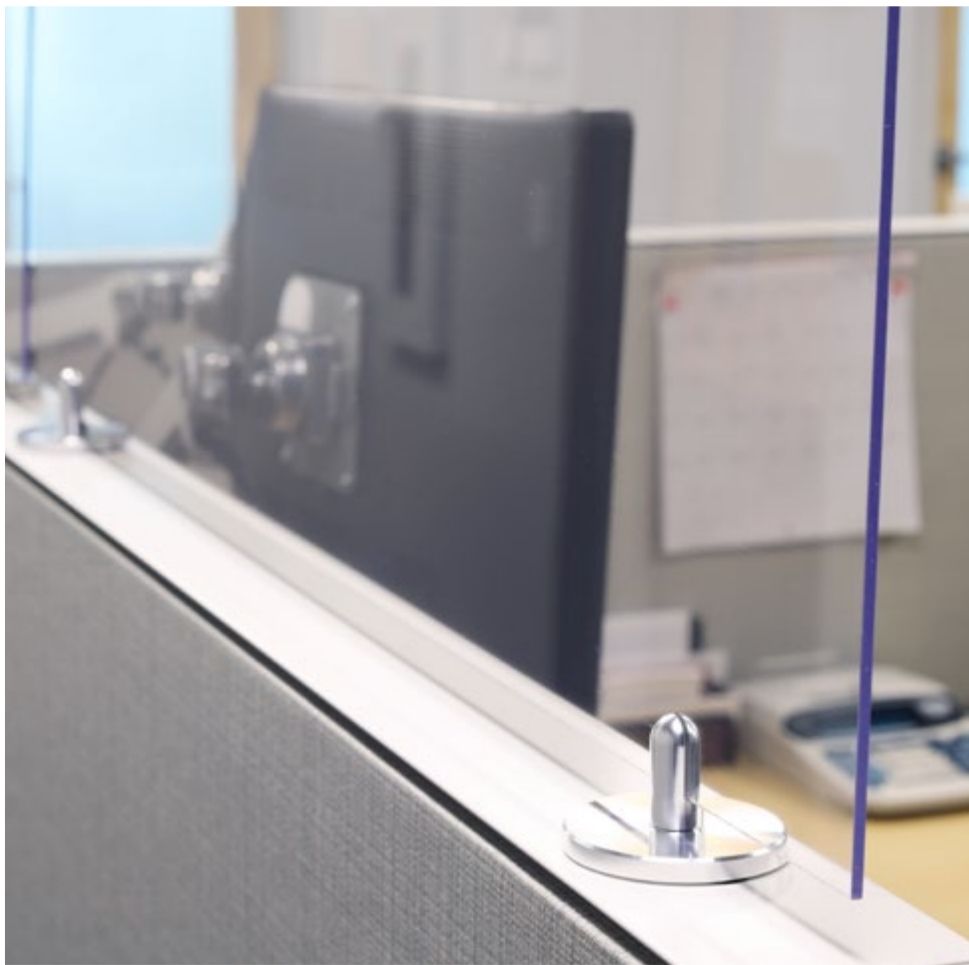
Protect your employees, customers and visitors with our semi-permanent and permanent sneeze guards and dividers. With multiple options to fit a wide range of work and office environments, our sneeze guards will help adapt your workspace to local and national recommendations and guidelines.



StructureLite Square Screw Guard

01. EZ-GRIP SNEEZE GUARD & DIVIDER SOLUTIONS

Maintain maximum visibility with low profile EZ-Grip sneeze guards. Made with high-quality aluminum bases and clear acrylic, these guards blend seamlessly into any environment and are easy-to clean and disinfect. Our Ez-Grip sneeze guards are available with two mounting options: holes in the base that can be permanently mounted with screws or a solid base for semi-permanent mounting with high-power magnets.



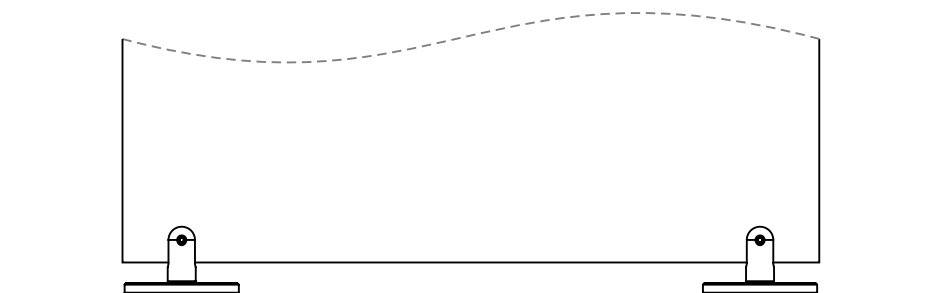
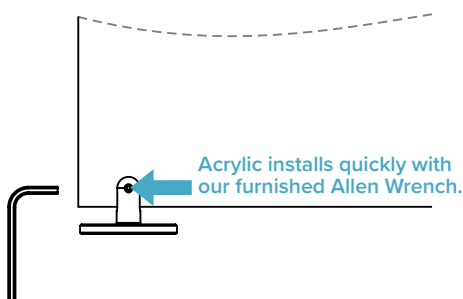
Ez-Grip Magnetic Barrier

PRODUCT SPECS:

- **MATERIAL:** .150" Clear acrylic plastic and aluminum
- **AVAILABLE LENGTHS*:** 18", 20", 24", 30", 36", 42"
- **AVAILABLE HEIGHTS*:** 12", 18", 20", 24", 30", 36", 42"
**Not all configurations are available in every size.*
- **CONFIGURABLE:** Multiple options available
- **MOUNTING:** Screw or magnetic available
- **ACRYLIC CLEANING:** Use a clean, soft cloth or microfiber towel and Novus acrylic cleaning products
- **SHIPPING:** Packed flat and free freight excluding 42" and up
- **KITS INCLUDE:** Acrylic, aluminum bases, instructions and Allen Wrench



TECHNICAL ILLUSTRATIONS:



02.

STRUCTURELITE SNEEZE GUARD & DIVIDER SOLUTIONS

These sneeze guard kits, manufactured by Gyford Décor, feature modern square or round posts with a satin aluminum finish and durable, clear Rowmark acrylic that's easy to clean and disinfect. All sneeze guards come complete with all necessary hardware.

Sneeze Guards come in a variety of sizes and configurations to fit virtually any space.



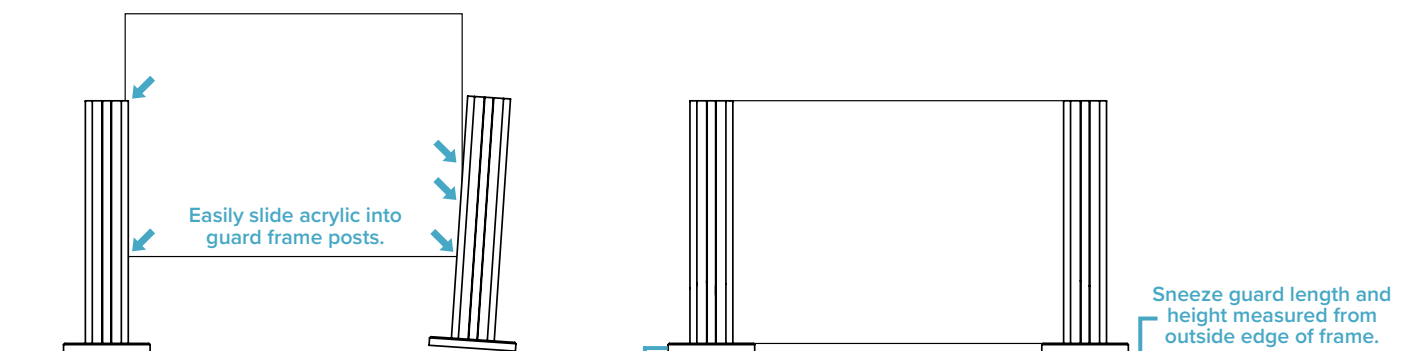
StructureLite Screw Barrier

PRODUCT SPECS:

- **MATERIAL:** .150" Clear acrylic plastic and aluminum
- **POSTS:** Round or square post options
- **AVAILABLE LENGTHS*:** 18", 20", 24", 30", 36", 42"
- **AVAILABLE HEIGHTS*:** 12", 18", 20", 24", 30", 36", 42"
**Not all configurations are available in every size.*
- **CONFIGURABLE:** Multiple options available
- **MOUNTING:** Screw or magnetic available
- **ACRYLIC CLEANING:** Use a clean, soft cloth or microfiber towel and Novus acrylic cleaning products
- **SHIPPING:** Packed flat and free freight excluding 42" and up
- **KITS INCLUDE:** Acrylic, aluminum frames, instructions and Allen Wrench



TECHNICAL ILLUSTRATIONS:



COMPARISON: SNEEZE GUARD & DIVIDER SOLUTIONS

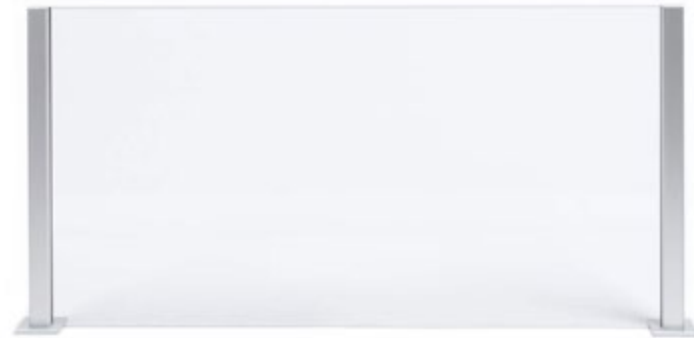


EZ Grip Magnetic Base Kits

Assembled EZ Panel Gripper with magnetic base plate
2.5" Diameter magnet mounting plate with adhesive
3/32" Hex key wrench for assembly
Acrylic barrier (sized to order)

EZ Grip Screw Base Kits

Assembled EZ Panel Gripper screw plate
EZ Panel Gripper mounting screws
3/32" Hex key wrench for assembly
Acrylic barrier (sized to order)



Square StructureLite Magnetic Post Kits

Structurelite square aluminum posts
2.5" Diameter magnet mounting plate with adhesive
Square extrusion end caps with thread mounts
Structurelite square post bases with set screw
5/32" Hex key wrench for assembly
Plastic Spline (sized to order)
Acrylic barrier (sized to order)

Square StructureLite Screw Post Kits

Structurelite square posts
Structurelite mounting screws
Square extrusion end caps with thread mounts
Structurelite square post bases with set screw
5/32" Hex key wrench for assembly
Plastic Spline (sized to order)
Acrylic barrier (sized to order)



Round StructureLite Magnetic Post Kits

Structurelite round posts
2.5" Diameter magnet mounting plate with adhesive
Round extrusion end caps with thread mounts
Structurelite round post bases with set screw
5/32" Hex key wrench for assembly
Plastic Spline (sized to order)
Acrylic barrier (sized to order)

Round StructureLite Screw Post Kits

Structurelite round posts
Structurelite mounting screws
Round extrusion end caps with thread mounts
Structurelite round post bases with set screw
5/32" Hex key wrench for assembly
Plastic Spline (sized to order)
Acrylic barrier (sized to order)

	Ez-Grip Kit	Square StructureLite Kit	Round StructureLite Kit
Item #	SGSM12X18-125	SLK-SQSM-18X18-1875	SLK-SM-18X18-1875
Mount Type	Screw or Magnetic	Screw or Magnetic	Screw or Magnetic
Mount Shape	Round Grip Base	Square Frame	Round Frame
Height Options	18", 20", 24", 30", 36", 42"	18", 20", 24", 30", 36", 42"	18", 20", 24", 30", 36", 42"
Length Options	18", 20", 24", 30", 36", 42"	18", 20", 24", 30", 36", 42"	18", 20", 24", 30", 36", 42"
Material	Aluminum	Aluminum	Aluminum
Acrylic	Sold Separately	Sold Separately	Sold Separately
Material Thickness	0.150" Acrylic	0.150" Acrylic	0.150" Acrylic

*Not all configurations are available in every size.

03.

EZ CEILING WIRE SUSPENSION KIT SNEEZE GUARD & DIVIDER

Suspended sneeze guards are ideal for areas where counter and desktop mounting isn't practical.

The Gyford EZ Ceiling Mounted Wire Kits are ideal for common areas and come with included hardware and wires for mounting any rigid panel. Clear acrylic or rigid substrate sold separately.



EZ Ceiling Mounted Suspension Kit

PRODUCT SPECS:

- **MATERIAL:** Aluminum grippers and wire
- **DIMENSIONS:** 10' Spans of 1/8" swaged wire*
- **MAX THICKNESS MATERIAL:** 3/8" or 1/2"
- **MOUNTING:** Screw
- **ACRYLIC CLEANING:** Use a clean, soft cloth or microfiber towel and Novus acrylic cleaning products
- **SHIPPING:** Packed flat and free freight excluding 42" and up
- **KITS INCLUDE:** Two ceiling mounts, two vertical grippers, and two 10' spans of 1/8" swaged wire. (Wire must be cut to length needed and one end must be crimped with appropriate tool). These kits also include mounting screws for the floor and ceiling mounts. Please note that this kit does not include acrylic or rigid substrate.

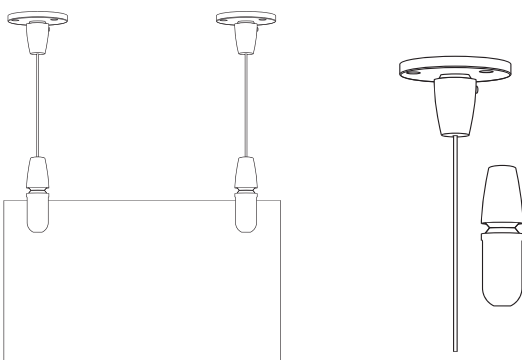


Hardware Included in Kit



EZ Ceiling Mounted Wire Suspension Kit

TECHNICAL ILLUSTRATIONS:



04.

CEILING WIRE SUSPENSION KIT SNEEZE GUARD & DIVIDER

Suspend a hanging sneeze guard anywhere you need physical separation.

The Gyford Ceiling Mounted Wire Kits provide secure barriers for open learning environments and come with included hardware and wires for mounting any rigid panel. Clear acrylic or rigid substrate sold separately.



Ceiling Mounted Suspension Kit

PRODUCT SPECS:

- **MATERIAL:** Aluminum clips and wire
- **DIMENSIONS:** 10' Spans of 1/8" swaged wire*
- **MAX THICKNESS MATERIAL:** 1/4" or 1/8"
- **MOUNTING:** Screw
- **ACRYLIC CLEANING:** Use a clean, soft cloth or microfiber towel and Novus acrylic cleaning products
- **SHIPPING:** Packed flat and free freight excluding 42" and up
- **KITS INCLUDE:** These kits include two top mounts, one 10' span of 3/64" wire and two vertical grippers. Please note that this kit does not include acrylic or rigid substrate.

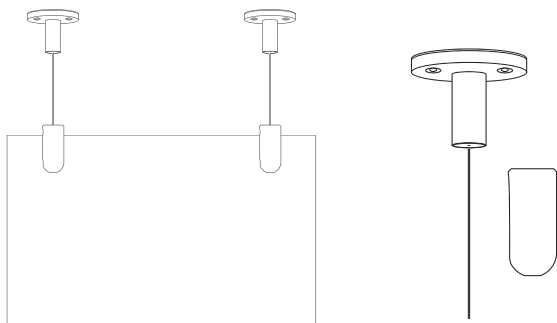


Hardware Included in Kit



EZ Ceiling Mounted Wire Suspension Kit

TECHNICAL ILLUSTRATIONS:



05.

DROP CEILING WIRE SUSPENSION KIT SNEEZE GUARD & DIVIDER

Suspended sneeze guards are ideal for areas where counter and desktop mounting isn't practical.

Gyford Drop Ceiling Wire Suspension Kits offer a barrier option for open areas with drop ceiling rail systems. Kits include hardware and wires for mounting any rigid panel. Clear acrylic or rigid substrate sold separately.



Drop Ceiling Mounted Suspension Kit

PRODUCT SPECS:

- **MATERIAL:** Aluminum grippers and wire
- **DIMENSIONS:** 10' Spans of 1/8" swaged wire*
- **MAX THICKNESS MATERIAL:** 3/8" or 1/2"
- **MOUNTING:** Screw
- **ACRYLIC CLEANING:** Use a clean, soft cloth or microfiber towel and Novus acrylic cleaning products
- **SHIPPING:** Packed flat and free freight excluding 42" and up
- **KITS INCLUDE:** Two ceiling mounts, two vertical grippers, and two 10' spans of 1/8" swaged wire. (Wire must be cut to length needed and one end must be crimped with appropriate tool). These kits also include mounting screws for the floor and ceiling mounts. Please note that this kit does not include acrylic or rigid substrate.

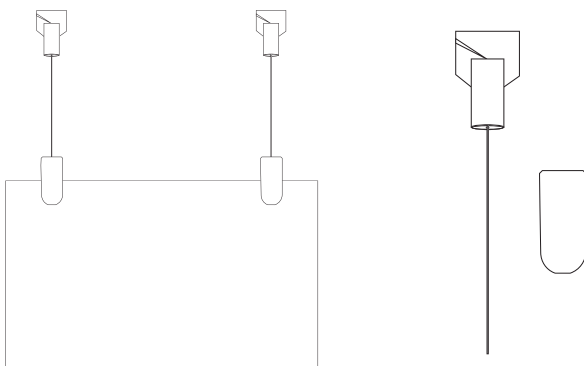


Hardware Included in Kit



Drop Ceiling Mounted Wire Suspension Kit

TECHNICAL ILLUSTRATIONS:



COMPARISON: SUSPENSION WIRE KITS SNEEZE GUARD & DIVIDER SOLUTIONS



EZ Ceiling Wire Suspension Kit
 Two ceiling mounts
 Two vertical grippers
 Two 10' spans of 1/8" swaged wire.*
 Screws for floor and ceiling mounts



Hardware Included in Kit



Ceiling Wire Suspension Kit
 Two top mounts
 Two vertical grippers
 One 10' span of 3/64" wire
 Screws for floor and ceiling mounts



Hardware Included in Kit



Drop Ceiling Wire Suspension Kit
 Two acoustic panel t-track clips
 Two vertical grippers
 One 10' span of 3/64" wire
 Four panel grippers.



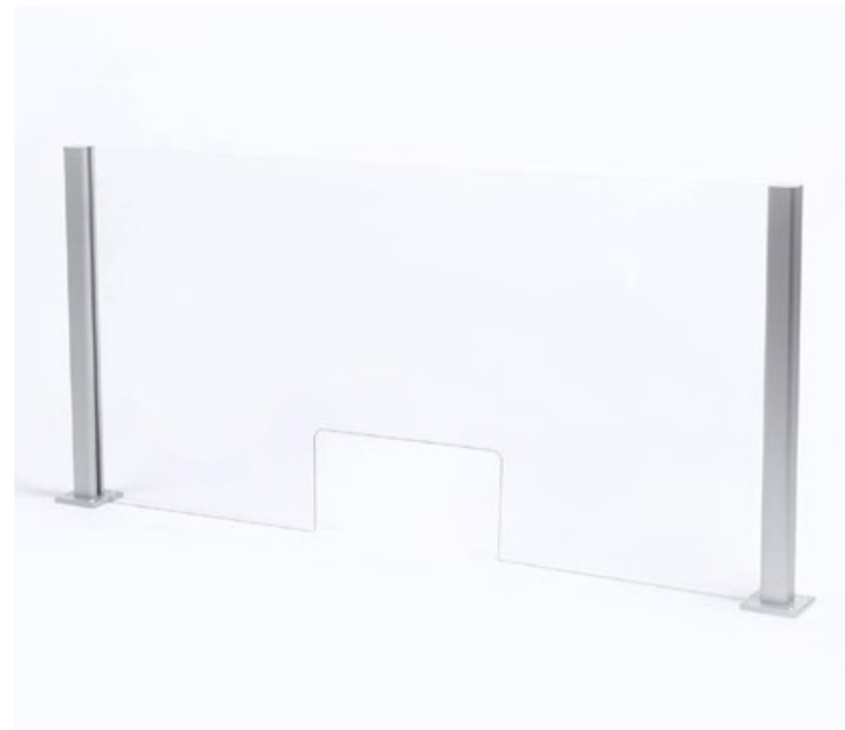
Hardware Included in Kit

	EZ Ceiling Wire Suspension Kit	Ceiling Wire Suspension Kit	Drop Ceiling Wire Suspension Kit
Item #	EZK-16, EZK-15	WSK-8, WSK-7	WSK-6, WSK-5
Mount Type	Suspension Wire Directly into Ceiling with Screws	Suspension Wire Directly into Ceiling with Screws	Suspension Wire Directly into Drop Ceiling Track
Material Thickness	1/2" or 3/8"	1/4" or 1/8"	1/4" or 1/8"
Material	Cable/Wire and Aluminum	Cable/Wire and Aluminum	Cable/Wire and Aluminum
Acrylic	Sold Separately	Sold Separately	Sold Separately

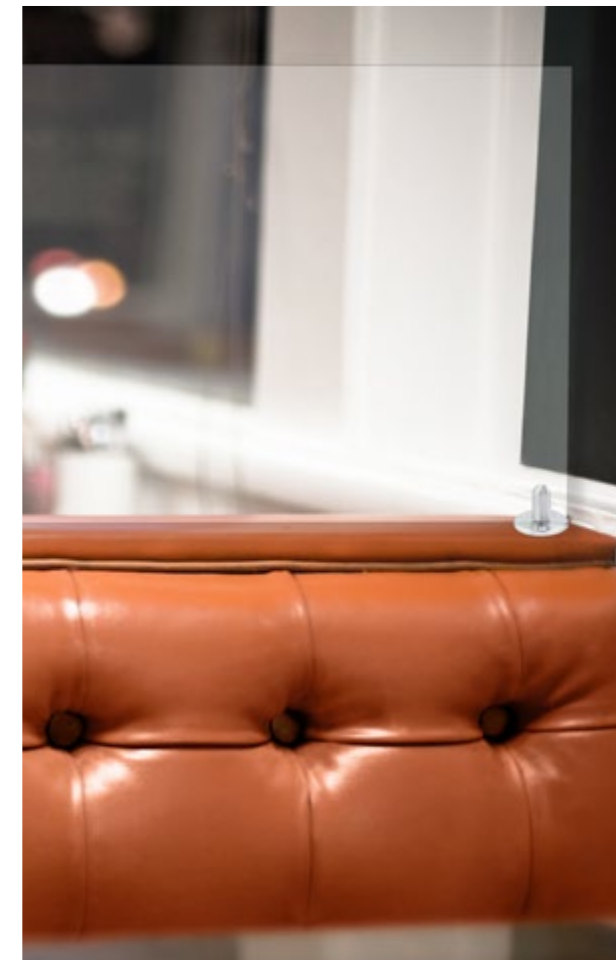
*Wire must be cut to length needed and one end must be crimped with appropriate tool. Please note that this kit does not include acrylic or rigid substrate.



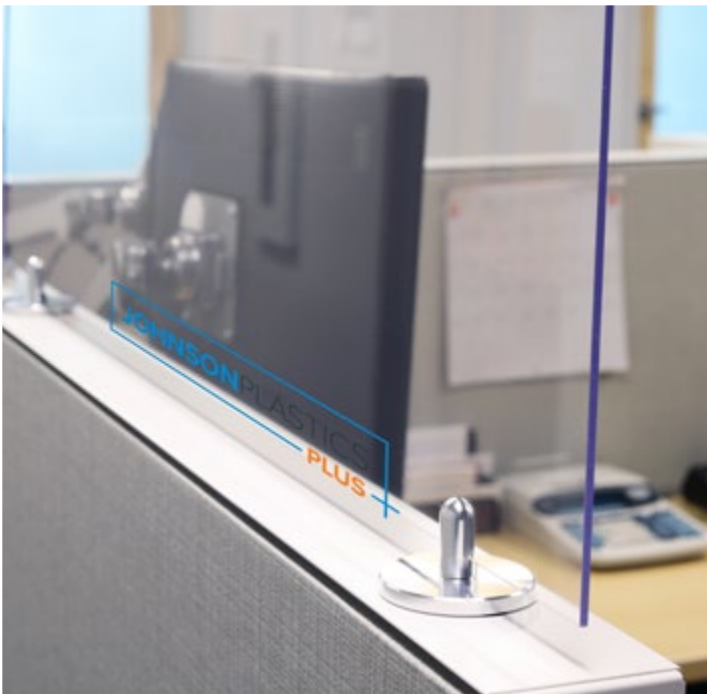
StructureLite Round Screw Guard



StructureLite Square Screw Guard with Custom Pass-through Slot



Ez-Grip Screw Guard



Ez-Grip Magnetic Guard with Custom Branding



Ceiling Mounted Suspension Wire Kit

CUSTOM SOLUTION SNEEZE GUARD & DIVIDERS

Does your space require multiple sneeze guards or dividers?

With Gyford Décor, you can create custom solutions to fit any space and budget. Our team can also customize Rowmark visually clear acrylic panels with printed logos, designs, or precision cut pass-through slots.

Custom doesn't mean expensive... it means designed and built for you.

Contact us at: info@standoffsystems.com



StructureLite Round Screw Guard



StructureLite Square Screw Guard



StructureLite Round Screw Guard with Custom Pass-through and Logo